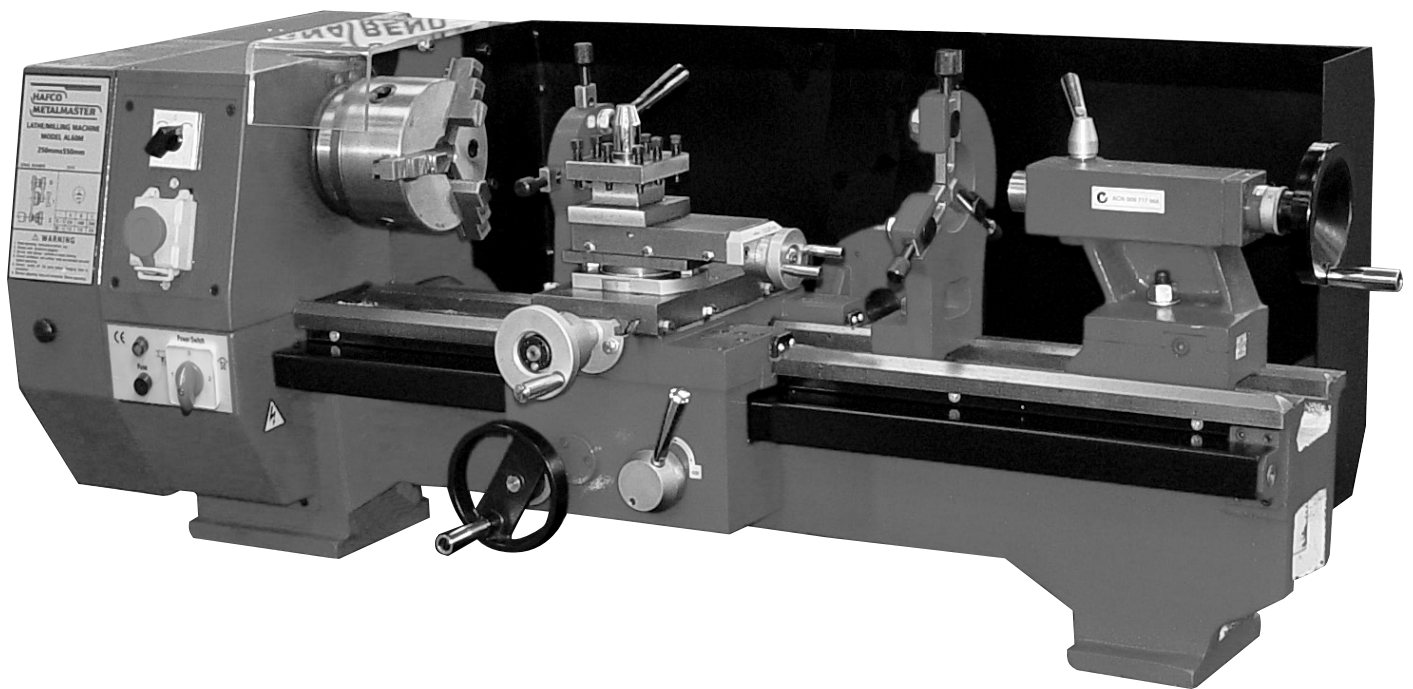
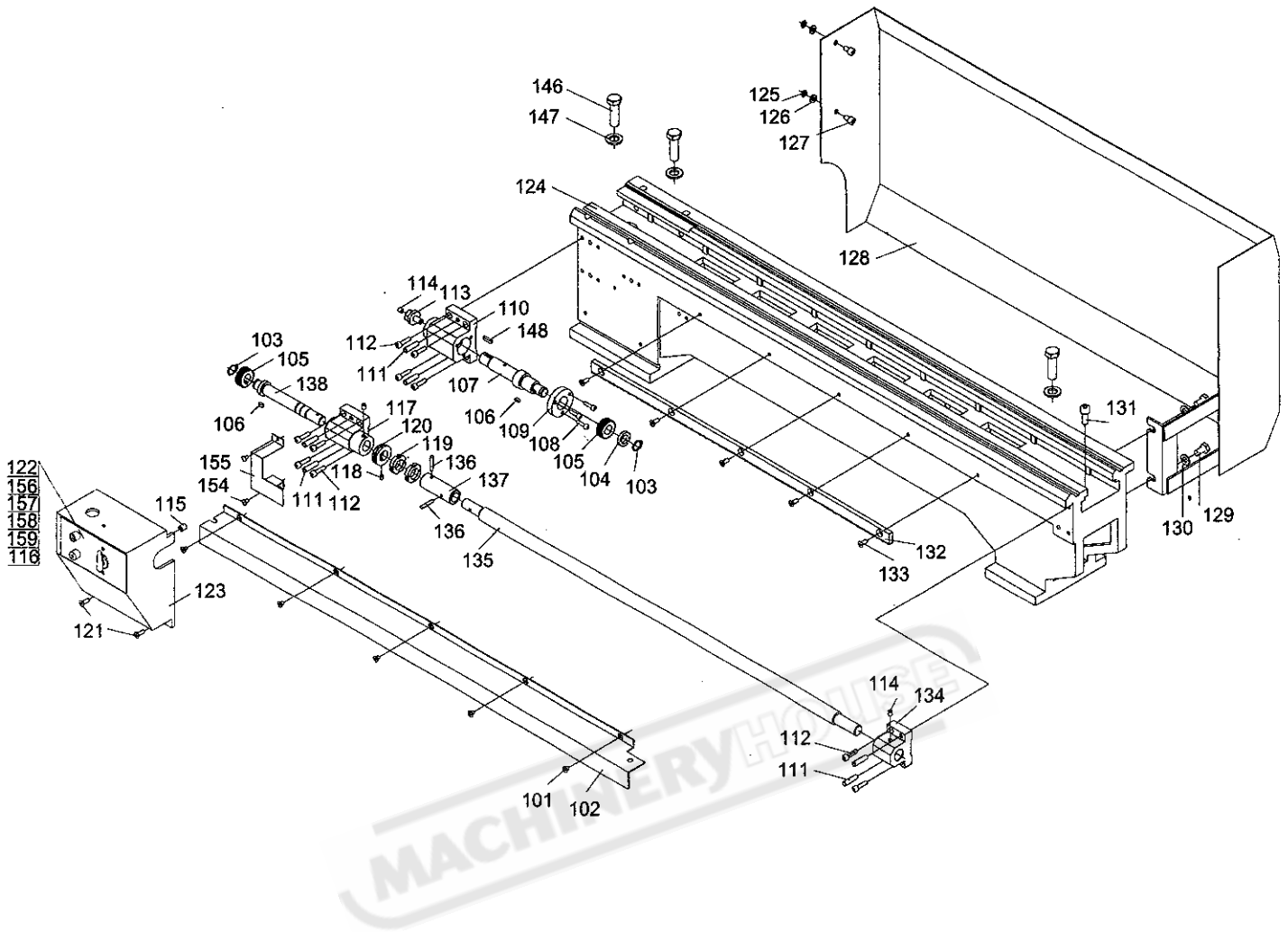


PARTS LIST

AL-60 (SIEG C6)
Bench Lathe (240V)
250 x 550mm

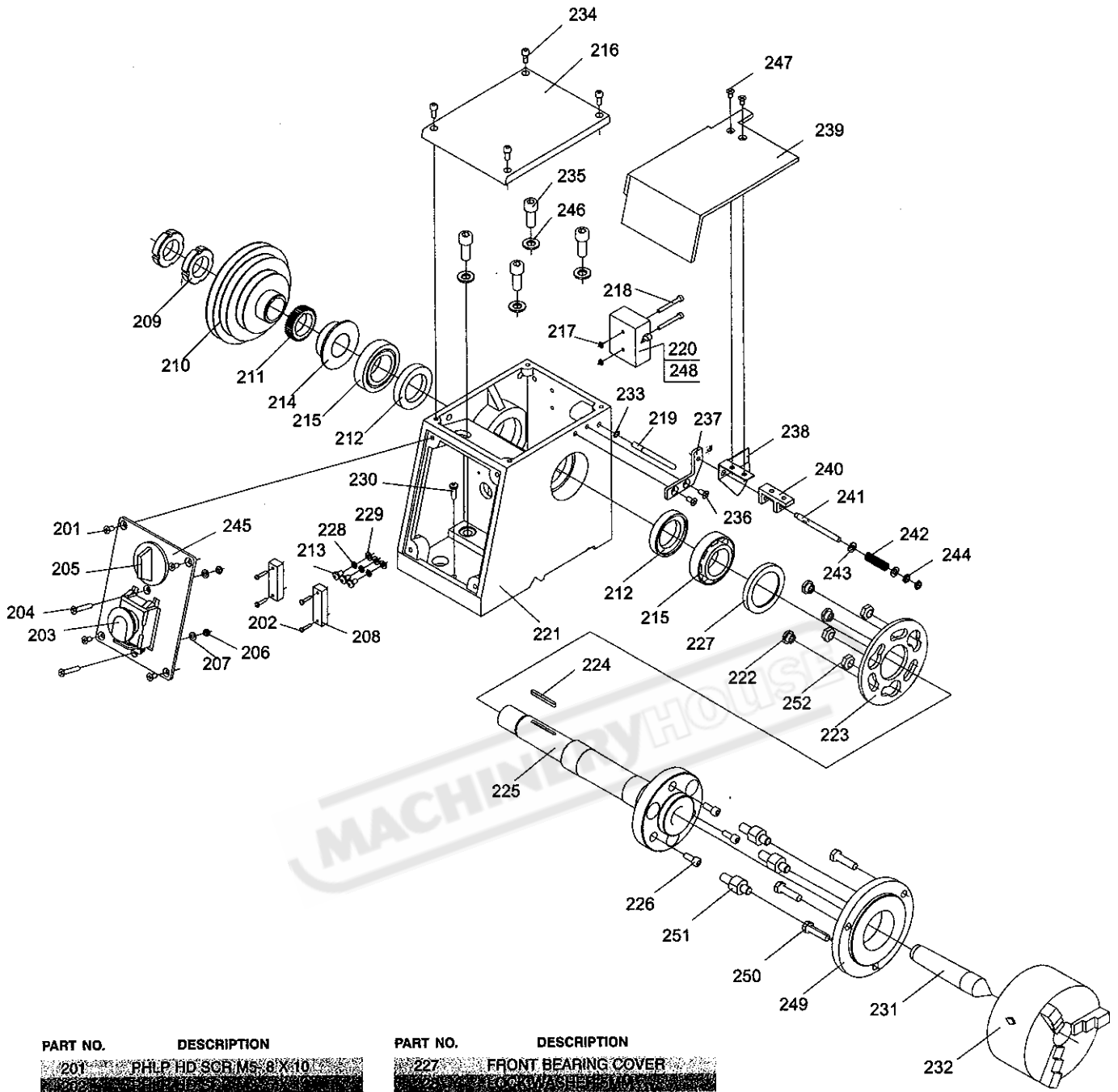


L148



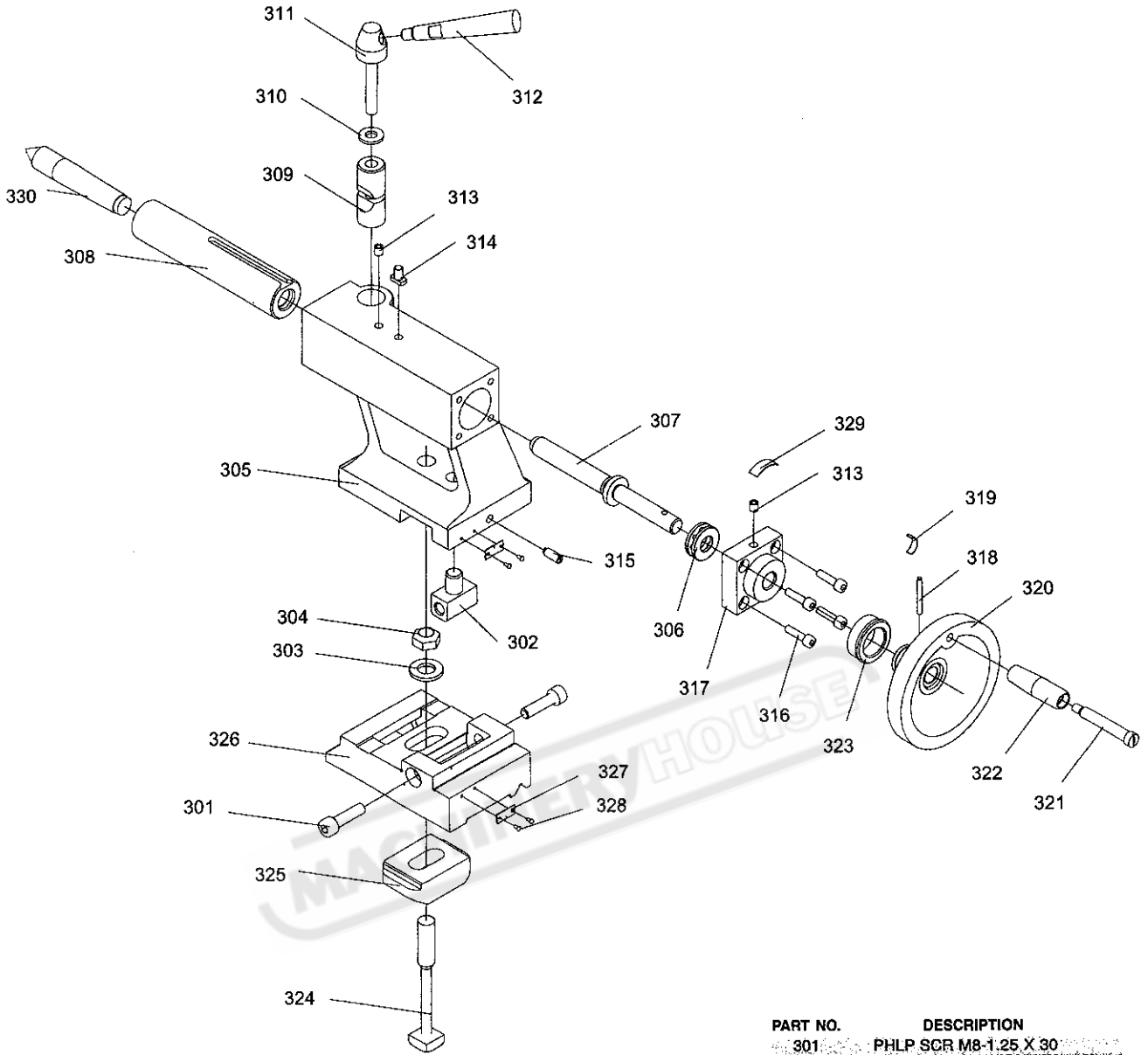
PART NO.	DESCRIPTION
101	PHLP HD SCR M5-8 X 8
102	LEADSCREW COVER
103	EXT RETAINING RING 14MM
104	CHANGE GEAR BRACER
105	SMALL GEAR
106	KEY
107	CHANGE GEAR SHAFT
108	PHLP HD SCR M5-8 X 16
109	ADJUSTING DISC
110	SHAFT SUPPORT
111	TAPER PIN 6 X 25
112	BOLT (WITH SHOULDER)
113	KEY
114	KEY
115	BLOCK FOR SWITCH
117	LEADSCREW SUPPORT 1
118	PHLP HD SCR M5-8 X 16
119	ROUND NUT
121	PHLP HD SCR M5-8 X 14
122	SWITCH
123	SHAFT COVER
124	SHAFT

PART NO.	DESCRIPTION
125	HEX NUT M6-1.0
126	FLAT WASHER 3MM
127	HEX BOLT M6-1 X 10
128	PLATE
129	PHLP SCR M8-1.25 X 15
130	FLAT WASHER 3MM
131	PHLP SCR M8-1.25 X 20
132	FLAT WASHER 3MM
133	PHLP HD SCR M5-8 X 12
134	TAPER PIN
135	LONG LEADSCREW
136	FLAT WASHER 3MM
137	SLEEVE JOINT
138	FLAT WASHER 3MM
139	FLAT WASHER 3MM
146	HEX BOLT M12-1.75 X 40
147	FLAT WASHER 3MM
148	KEY 4 X 4 X 16
149	PHLP HD SCR M5-8 X 16
155	SMALL GEAR PROTECT
156	GREEN PAINT
157	FUSE BOX
158	FLAT WASHER 3MM
159	SELECTOR SWITCH

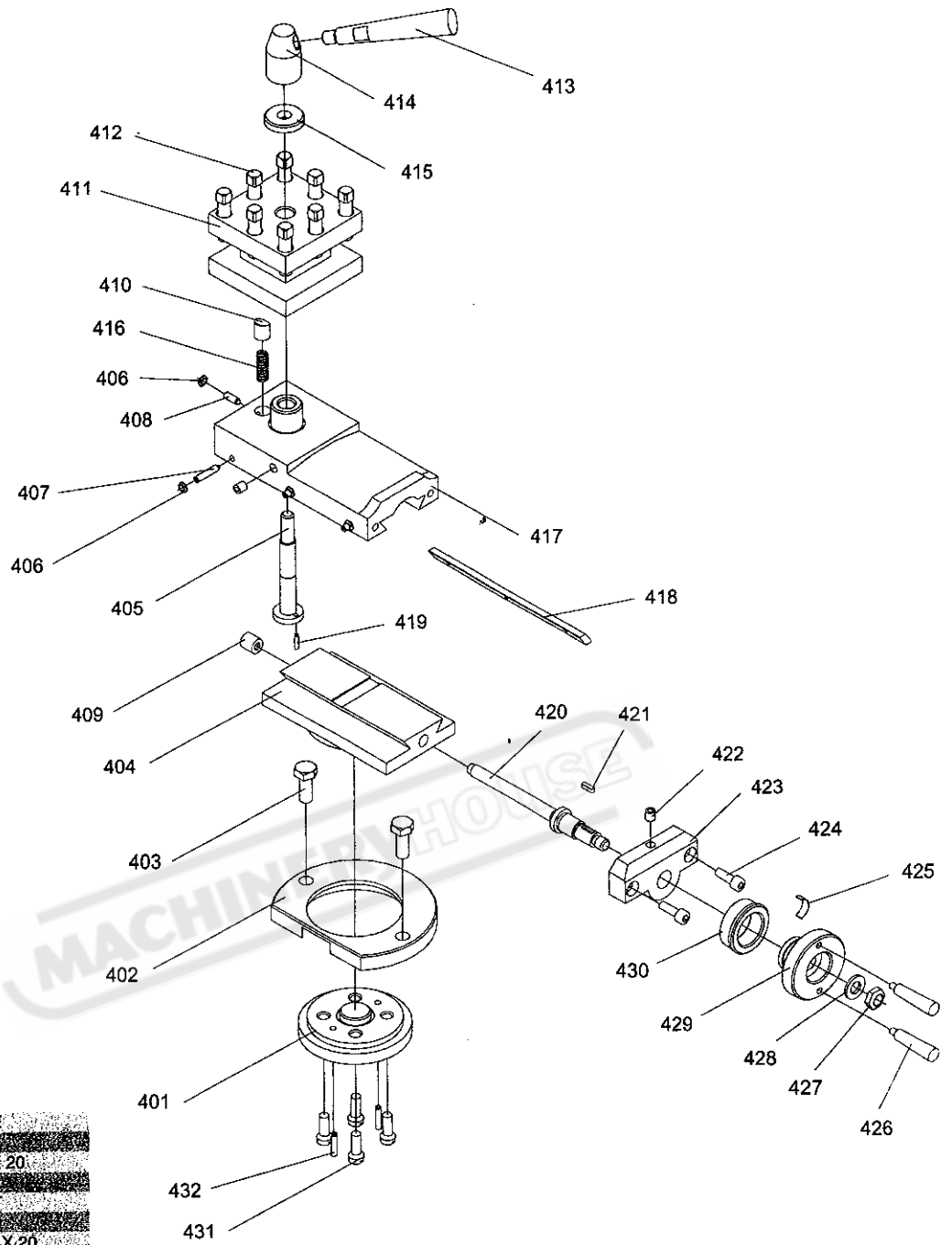


PART NO.	DESCRIPTION
201	PHLP HD SCR M5-8 X 10
203	POWER SWITCH W/STOP
205	FWD/REV SWITCH
207	FLAT WASHER 5MM
209	FOUND NUT M27 X 1.5
211	SPINDLE GEAR
218	PHLP HD SCR M5-8 X 10
215	BEARING 32007
217	HEX NUT M10/7
219	IRON SHAFT
221	HEAD STOCK BODY
223	ROTATABLE SPACER
225	SPINDLE

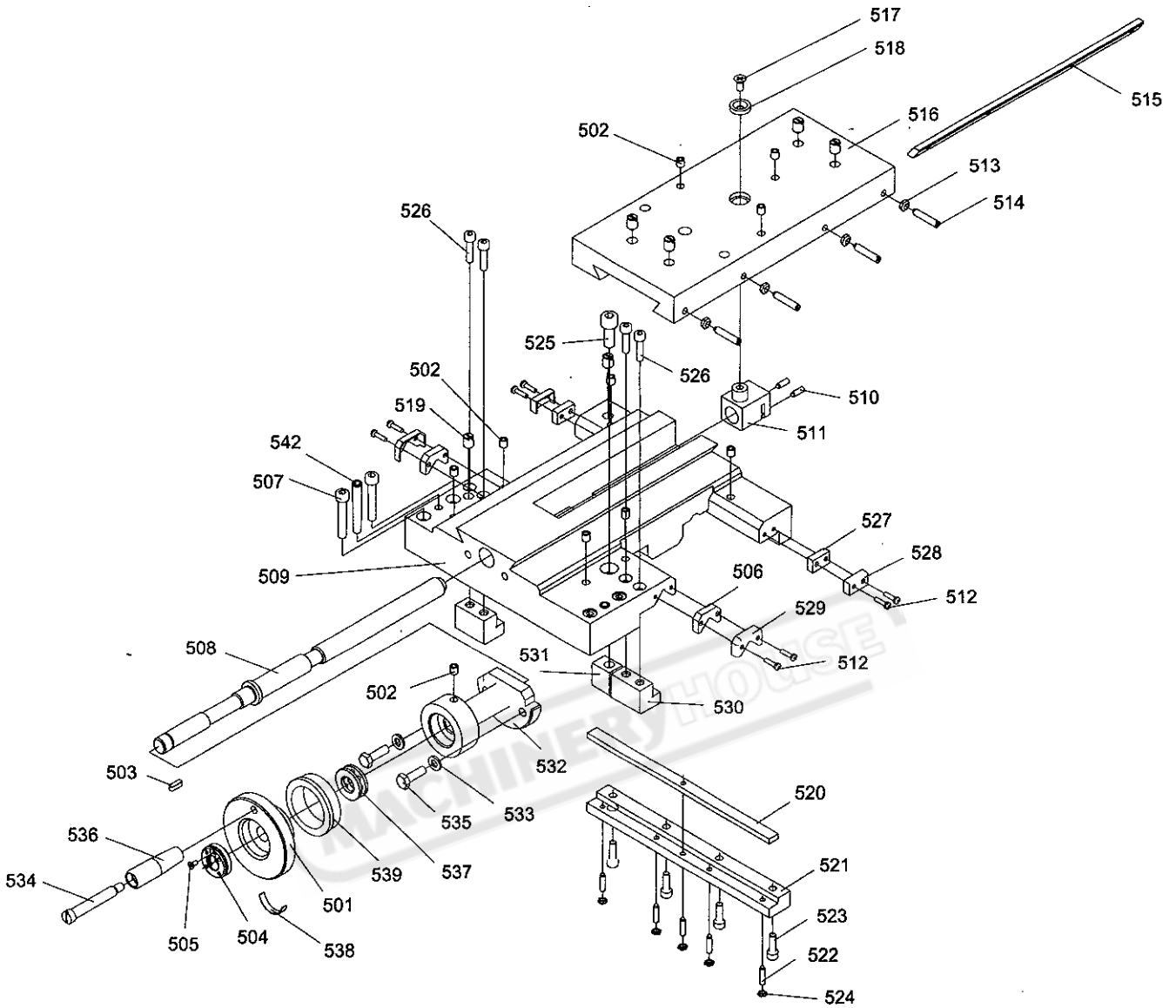
PART NO.	DESCRIPTION
227	FRONT BEARING COVER
229	EXT TOOTH WASHER M5
231	SPINDLE CENTER MT3
233	EXT RETAINING RING 6MM
235	PHLP SCR M10-1.5 X 25
237	SUPPORT
239	CHUCK GUARD
241	SMALL SHAFT
243	FLAT WASHER 6MM
245	PLATE FOR SWITCHES
247	PHLP HD SCR M5-8 X 8
249	3-JAW CHUCK FLANGE
251	PLUG BOLT



PART NO.	DESCRIPTION
301	PHLP SCR M8-1.25 X 30
302	TAILSTOCK NUT
303	FLAT WASHER 12MM
304	HEX NUT M8-1.25
305	TAILSTOCK BODY
306	BEARING END
307	TAILSTOCK LEADSCREW
308	TAILSTOCK CLAMP
309	TUBULAR CLAMP
310	CLAMP WASHER
311	CLAMP BOLT
312	HANDLE
313	OIL CUP
314	BEARING END KEY
315	PHLP HD SCR M6-1X-16
316	PHLP HD SCR M6-1X-20
317	TAILSTOCK END COVER
318	CYLINDER PIN 30
319	SPRING BOW
320	HAND WHEEL
321	HANDLE BOLT
322	HANDLE BUSH
323	INDEX RING
324	SCREW DRIVER
325	TAILSTOCK CLAMP PLATE
326	BASE
327	ZERO POSITION LABEL
328	SPRINGER
329	INDICATE LABEL
330	TAILSTOCK CENTERING

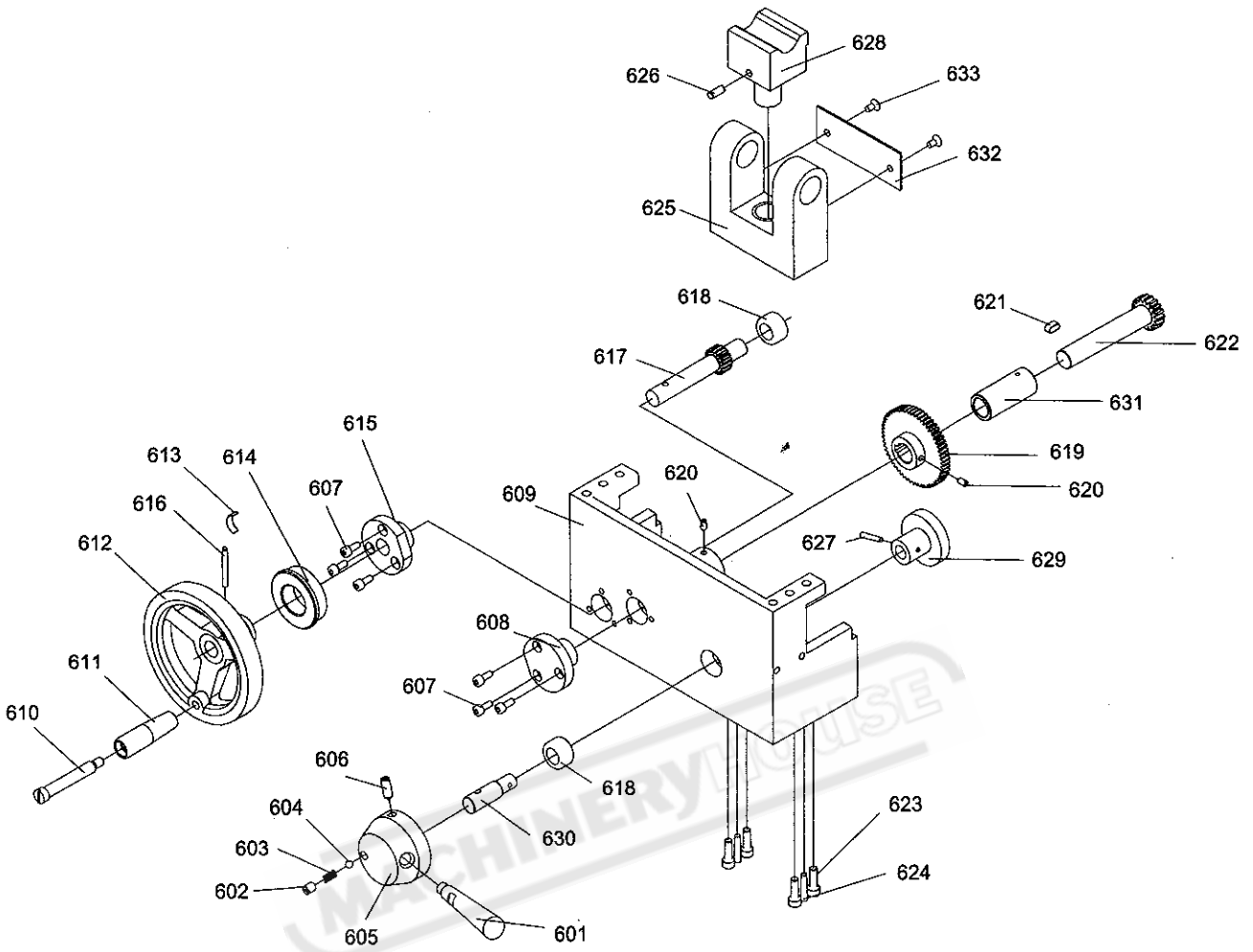


PART NO.	DESCRIPTION
401	CUTTER REST BASE
402	CLAMP DISC
403	HEX BOLT M8-1.25 X 20
404	CUTTER REST DISC
405	CUTTER REST BOLT
406	HEX NUT M4
407	PHLP HD SCR M4-7 X 20
408	PHLP HD SCR M4-7 X 20
409	OIL CUP 10
410	FIXING RING
411	SQUARE CUTTER REST
412	PHLP SCR M4-7 X 30
413	HANDLE
414	HANDLE BASE
415	HANDLE SPACER
416	SPRING 6 X 2 X 1.5
417	CUTTER REST CARRIAGE
418	CAMERON DIE
419	CYLINDER PIN 3 X 10
420	CARRIAGE LEAD SCREW
421	KEY 3 X 3 X 10
422	OIL CUP 6
423	LEADSCREW SUPPORT
424	PHLP HD SCR M6-1 X 20
425	SPRING PLATE
426	HANDWHEEL PIN
427	HEX NUT M8-1.25
428	HANDWHEEL PIN
429	CARRIAGE HANDWHEEL
430	INDEX RING
431	PHLP HD SCR M6-1 X 16
432	CYLINDER PIN

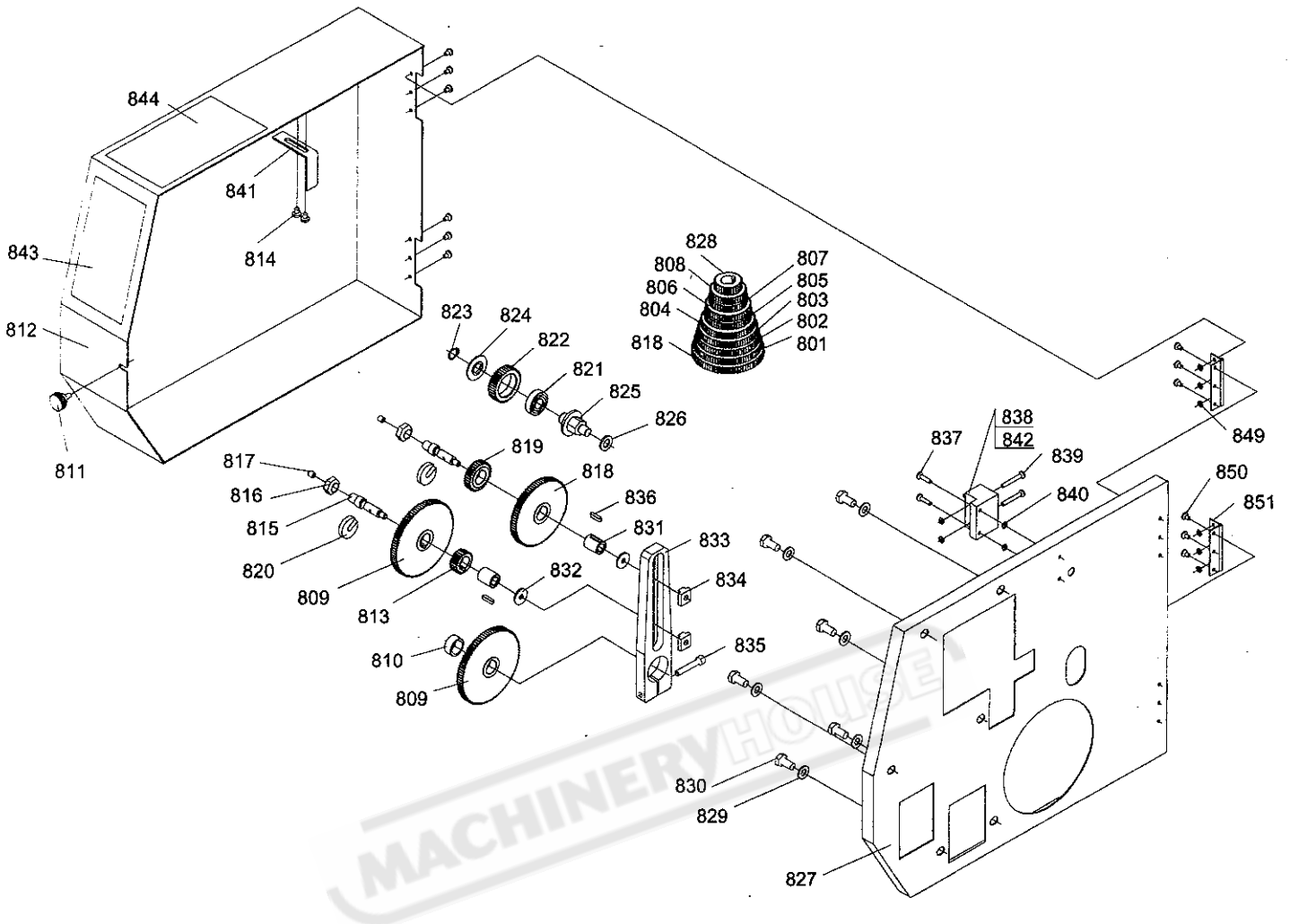


PART NO.	DESCRIPTION
501	HAND WHEEL
503	KEY 4 X 4 X 12
504	ROUND NUT
505	PHLP HD SCR M3-5 X 6
507	PHLP HD SCR M6-1.0 X 35
509	SADDLE
511	CLEARANCE NUT
513	HEX NUT M5-0.8
516	PAD IRON GIB
517	PHLP HD SCR M5-8 X 10
519	PHLP SCR M8-1.25 X 10

PART NO.	DESCRIPTION
521	REAR-CLAMP PLATE
523	PHLP HD SCR M5-8 X 16
525	PHLP SCR M8-1.25 X 20
527	OIL-STOPPING FELT
528	PROTECTING PANEL
531	BRAKING PLATE
533	FLAT WASHER 6MM
535	HEX BOLT M6-1 X 20
537	BEARING 8101
539	INDEX RING

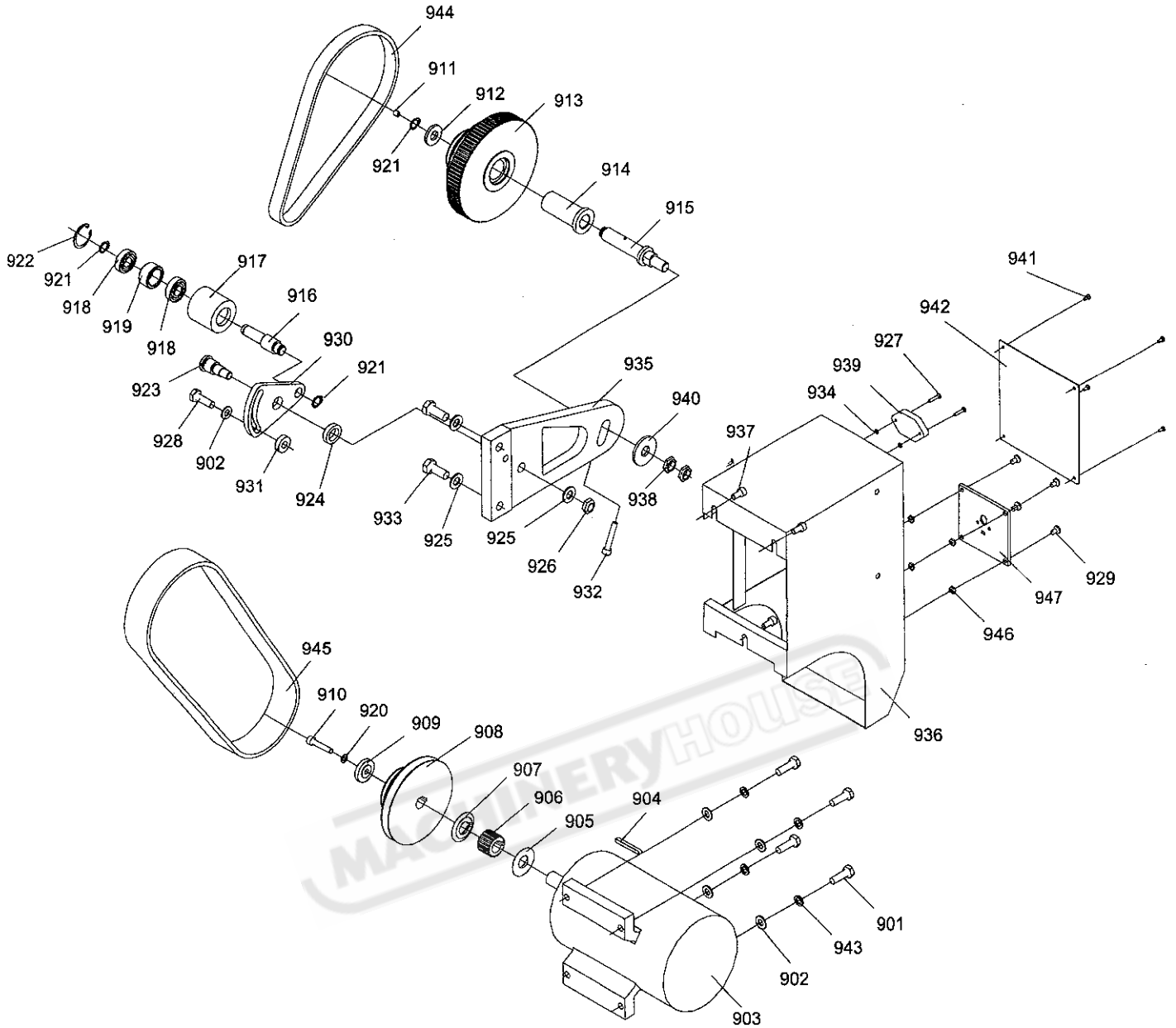


PART NO.	DESCRIPTION
601	HANDLE
602	PHLP HD SCR M6 X 8
603	COMPRESS SPRING
604	STEEL BALL
605	HANDLE SEAT
606	PHLP HD SCR M6-1 X 16
607	PHLP HD SCR M4-7 X 10
608	SHAFT SLEEVE
609	APRON BODY
610	HANDLE BOLT
611	HANDLE SLEEVE
612	HAND WHEEL
613	SPRING PLATE
614	INDEX RING
615	SMALL SHAFT-SLEEVE
616	SPRING PIN 3 X 20
617	SMALL GEAR SHAFT
618	SHAFT SLEEVE
619	GEAR
620	PHLP HD SCR M4-7 X 10
621	KEY 5 X 5 X 10
622	GEAR SHAFT
623	PHLP HD SCR M5-8 X 16
624	ROLL PIN 3 X 20
625	HALF NUT BASE
626	PHLP HD SCR M4-7 X 8
627	ROLL PIN 3 X 20
628	HALF NUT
629	SLOTTED DISC
630	ROTATING SHAFT
631	SHAFT SLEEVE
632	MOVING PLATE
633	PHLP HD SCR M4-7 X 8



PART NO.	DESCRIPTION
801	GEAR Z:72
802	GEAR Z:70
803	GEAR Z:68
804	GEAR Z:66
805	GEAR Z:60
806	GEAR Z:50
807	GEAR Z:48
808	GEAR Z:42
809	GEAR Z:30
810	WASHER
811	KNURLING BOLT
812	GEAR BOX BOLT
813	GEAR Z:25
814	SCREW M4 X 16
815	BOLT
816	WASHER
817	OIL CUP 6
818	GEAR Z:30
819	GEAR Z:33
820	GEAR WASHER
821	BEARING 6001
822	BEARING 6001 GEAR Z:25
823	CHECK RING 12
824	WASHER

PART NO.	DESCRIPTION
825	FIXED SHAFT BOLT
826	WASHER
827	GEAR BOX SUPPORT PLATE
829	WASHER 8
830	SCREW M4 X 16
831	SLIDING BEARING
833	GEAR REST
835	SCREW M6 X 35
837	SCREW M4 X 16
838	MICRO SWITCH
839	SCREW M4 X 30
840	WASHER
841	LIMITED PLATE
842	MICRO SWITCH BOX
843	MAIN LABEL
844	STANCHION GEAR LABEL
849	HEX NUT M4-7
850	PHI 4mm HD SCREW M4 X 16
851	HINGE



PART NO.	DESCRIPTION
901	HEX BOLT M8-1.25 X 30
902	FLAT WASHER 8MM
903	AC MOTOR
904	KEYS X5 X 20
905	MOTOR SHAFT SPACER
906	DRIVER PULLEY
907	KEYWAY SHAFT SPACER
908	MOTOR PULLEY
909	CHECK RING
910	PHLP HD SCR M6-1.0 X 30
911	OIL CUP 6
912	GREAT WASHER
913	COUNTER PULLEY
914	SLIDE BEARING
915	ARM SHAFT
916	BEARING 6001
917	TENSION PULLEY
918	BEARING 6001
919	SPACER
920	LOCK WASHER 6MM
921	EXT RETAINING RING 12MM
922	EXT RETAINING RING 28MM
923	PIVOT
924	PIVOT SPACER

PART NO.	DESCRIPTION
925	FLAT WASHER 10MM
926	HEX NUT M10-1.5
927	PHLP HD SCR M3-5 X 14
928	HEX BOLT M6-1.0 X 25
929	PHLP HD SCR M5-8 X 8
930	FAN SUPPORT
931	ADJ SLOT SPACER
932	PHLP HD SCR M6-1.0 X 35
933	HEX BOLT M10-1.5 X 25
934	HEX NUT M6-0.8
935	PULLEY SUPPORT
936	MOTOR COVER
937	PHLP HD SCR M6-1 X 12
938	ARM SHAFT NUT
939	SOCKET OUTLET
940	SUPPORT SPACER
941	PHLP HD SCR M3-5 X 6
942	ELECTRIC TOP COVER
943	LOCK WASHER 8MM
944	TIMING BELT 130 X 124 X 15
945	V-BELT M-30 3L300
946	HEX NUT M6-0.8
947	MAIN POWER SOCKET

PARTS LIST

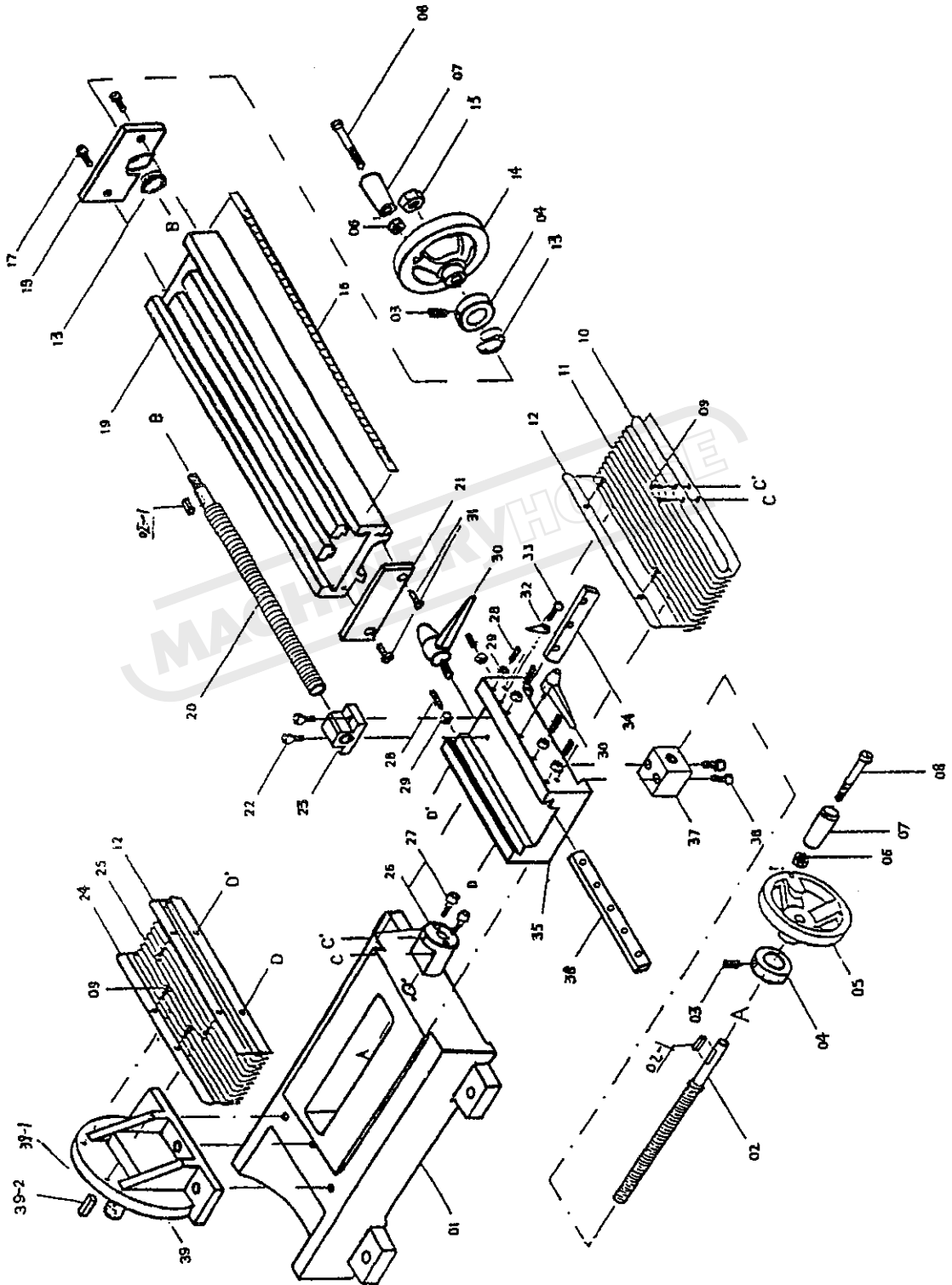
HM-10A (SIEG M6MA) Mill Head Attachment (240V)



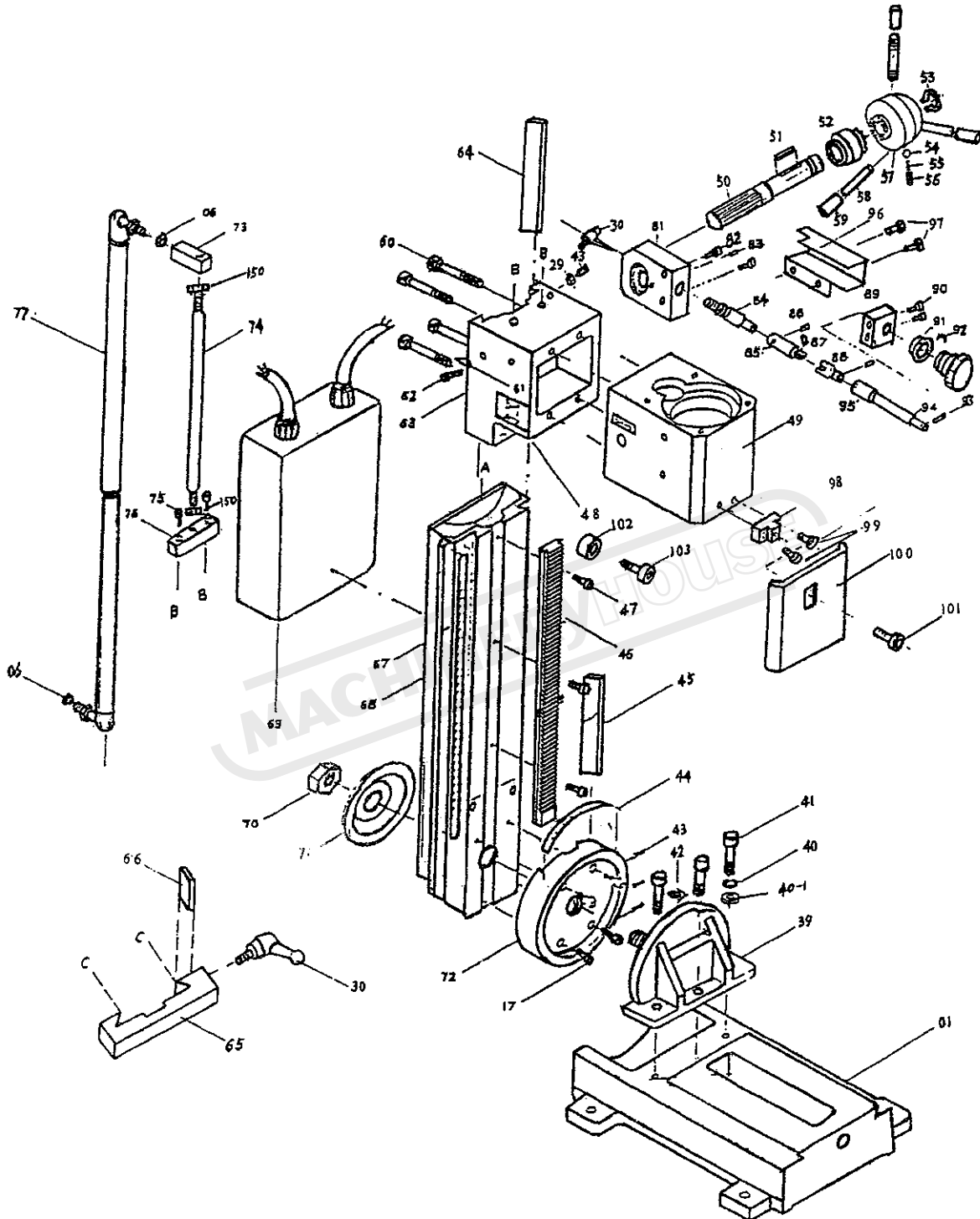
M151

4-2 Assembly and Parts

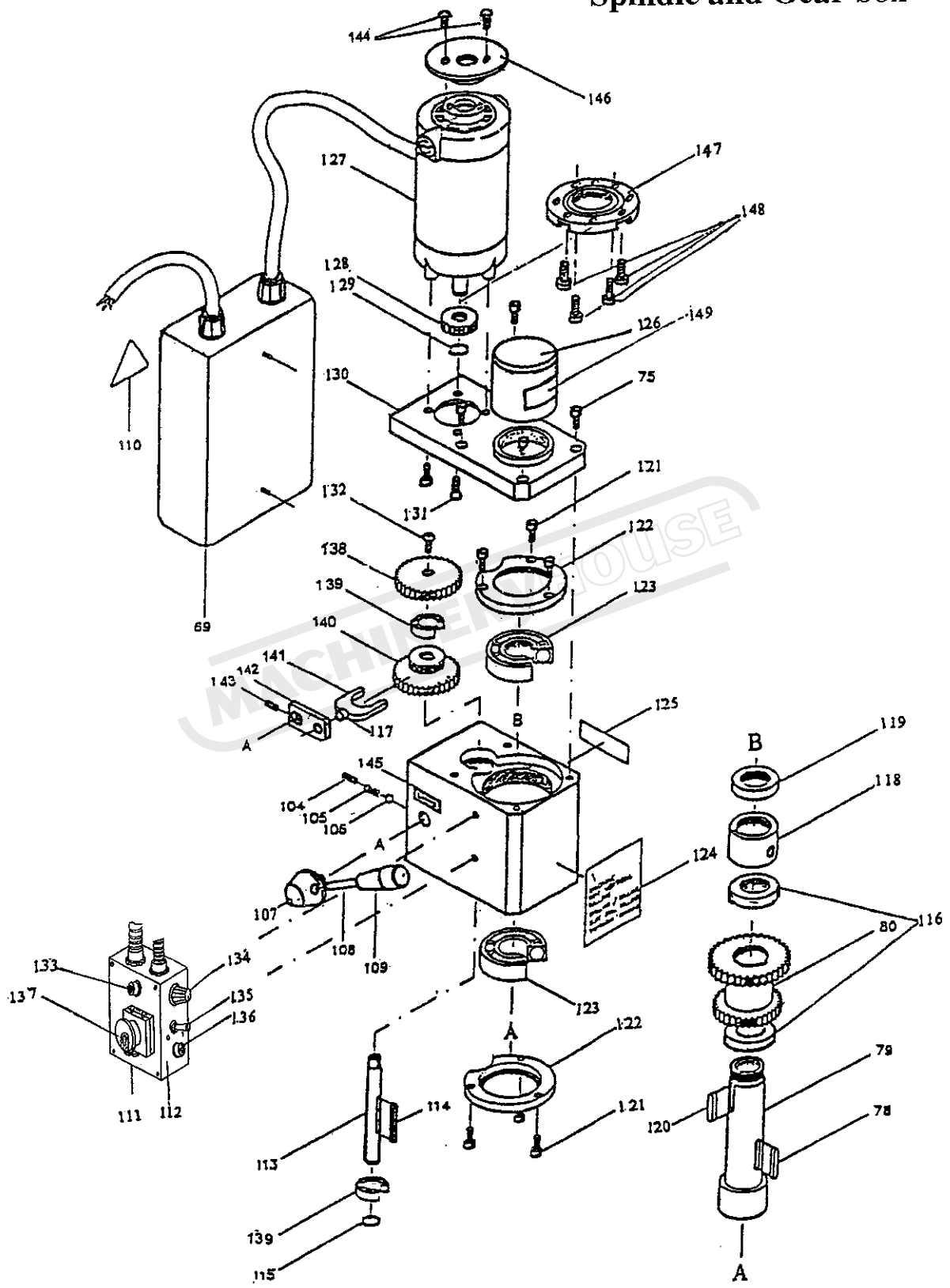
Longitudinal (Y) Axis
Cross (X) Axis



Vertical(Z)Axis



Spindle and Gear box



□ Parts List

Item No	Part Name	Q'ty	Item No	Part Name	Q'ty
1	Base	1	38	Cap screw M6 × 25	2
2	X-axis feeding screw	1	39	Fuselage seat	1
2-1	Key 4 × 16	2	39-1	Shaft	1
3	Spring	2	39-2	Key 8 × 12	1
4	Graduated collar	2	40-1	Washer 10	3
5	Hand wheel	1	41	Cap screw M10 × 30	3
6	Nut M8	4	42	Guide finger	2
7	Knob	2	43	Set screw M6 × 22	7
8	Screw M8 × 55	2	44	Ruler	1
9	Cap screw M6 × 8	8	45	Wedge	1
10	Holding plate (1)	1	46	Gear rack	1
11	Dust guard cover	1	47	Cap screw M6 × 16	4
12	Holding plate (2)	2	48	Name plate	1
13	Ball bearing 8200	2	49	Spindle box	1
14	Hand wheel	1	50	Pinion	1
15	Nut M8	8	51	Key 4 × 25	1
16	Y-axis ruler	1	52	Bevel gear	1
17	Cap screw M6 × 16	6	53	Retaining ring 12	1
18	Y-axis bearing seat	1	54	Ball ∅ 5.0	1
19	Working table	1	55	Spring 0.8 × 0.8 × 10	1
20	Y-axis feeding screw	1	56	Screw M6 × 8	1
21	End cover	1	57	Handle stock	1
22	Cap screw M6 × 10	2	58	Operating lever	3
23	Y-axis screw nut	1	59	Lever cap	3
24	Holding plate (3)	1	60	Cap screw M8 × 25	4
25	Dust guard cover	1	61	Guide finger	1
26	Screw seat	1	62	Cap screw M6 × 25	1
27	Cap screw M6 × 16	2	63	Spindle box seat	1
28	Set screw M6 × 22	6	64	Wedge	1
29	Nut M6	13	65	Limit block	1
30	Handle	3	66	Wedge	1
31	Screw M6 × 10	2	67	Ruler	1
32	Guide finger	1	68	Fuselage	1
33	Screw M6 × 8	1	69	Electric box	1
34	X-axis wedge	1	70	Lock nut M24	1
35	Saddle	1	71	Big washer	1
36	Y-axis wedge	1	72	Connecting strut	1
37	X-axis screw nut	1	73	Connecting board	1

Item No	Part Name	Q'ty	Item No	Part Name	Q'ty
74	Pitman shaft	1	114	Double round head key 4 × 4 × 45	1
75	Cap screw M6 × 20	2	115	Internal ring ∅ 12	1
76	Connecting block	1	116	Spacing ring	2
77	Cushioning cylinder	1	117	Small shaft	1
78	Key 5 × 5 × 40	1	118	Spacing ring	1
79	Spindle	1	119	Spindle nut	1
80	Transmission gear	1	120	Double round head key 5 × 5 × 30	1
81	Support block	1	121	Cap screw M5 × 8	6
82	Screw M5 × 20	2	122	Bearing cover	2
83	Pin 4 × 15	1	123	Ball bearing 80206	2
84	Worm	1	124	Name plate	1
85	Sleeve	1	125	Fine feeding label	1
86	Pin 3 × 12	1	126	Protecting cover	1
87	Pin 3 × 12	2	127	Motor	1
88	Adjustable union	1	128	Motor gear	1
89	Bracket	1	129	Intering ring 9.0	1
90	Screw M5 × 25	1	130	Motor seat	1
91	Dial	1	131	Flat screw M6 × 12	1
92	Spring steel 1.0	1	132	Round screw M5 × 8	1
93	Small hand wheel	1	133	Lamp	1
94	Screw M4 × 14	1	134	Speed control knob	1
95	Small shaft	1	135	Switch	1
96	Cover	1	136	Fuse box	1
97	Screw M4 × 6	2	137	Emergency stop switch	1
98	Support of dust cover	1	138	Gear	1
99	Screw M5 × 16	2	139	Ball bearing 80101	2
100	Dust guard	1	140	Transmission gear	1
101	Clamp bolt M6 × 12	1	141	Bar	1
102	Upper end washer	1	142	Linking board	1
103	Upper end screw M6 × 16	1	143	Set screw M5 × 8	1
104	Set screw M6 × 6	1	144	Self-tapping Screw ST 2.9 × 8	2
105	Spring 0.8 × 4.8 × 10	1	145	H/L label	1
106	Ball ∅ 5.0	1	146	Motor cover	1
107	Handle seat	1	147	Motor connecting flange	4
108	Double head bolt M8 × 70	1	148	Screw M6 × 10	1
109	Knob	1	149	Warning label	1
110	Warning label	1		PC board	1
111	Controller	1		Potentiometer	1
112	Label on controller	1		Fuse	1
113	Shaft (1)	1	150	Nut M10	2